

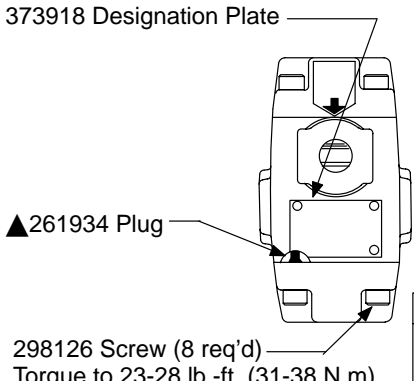
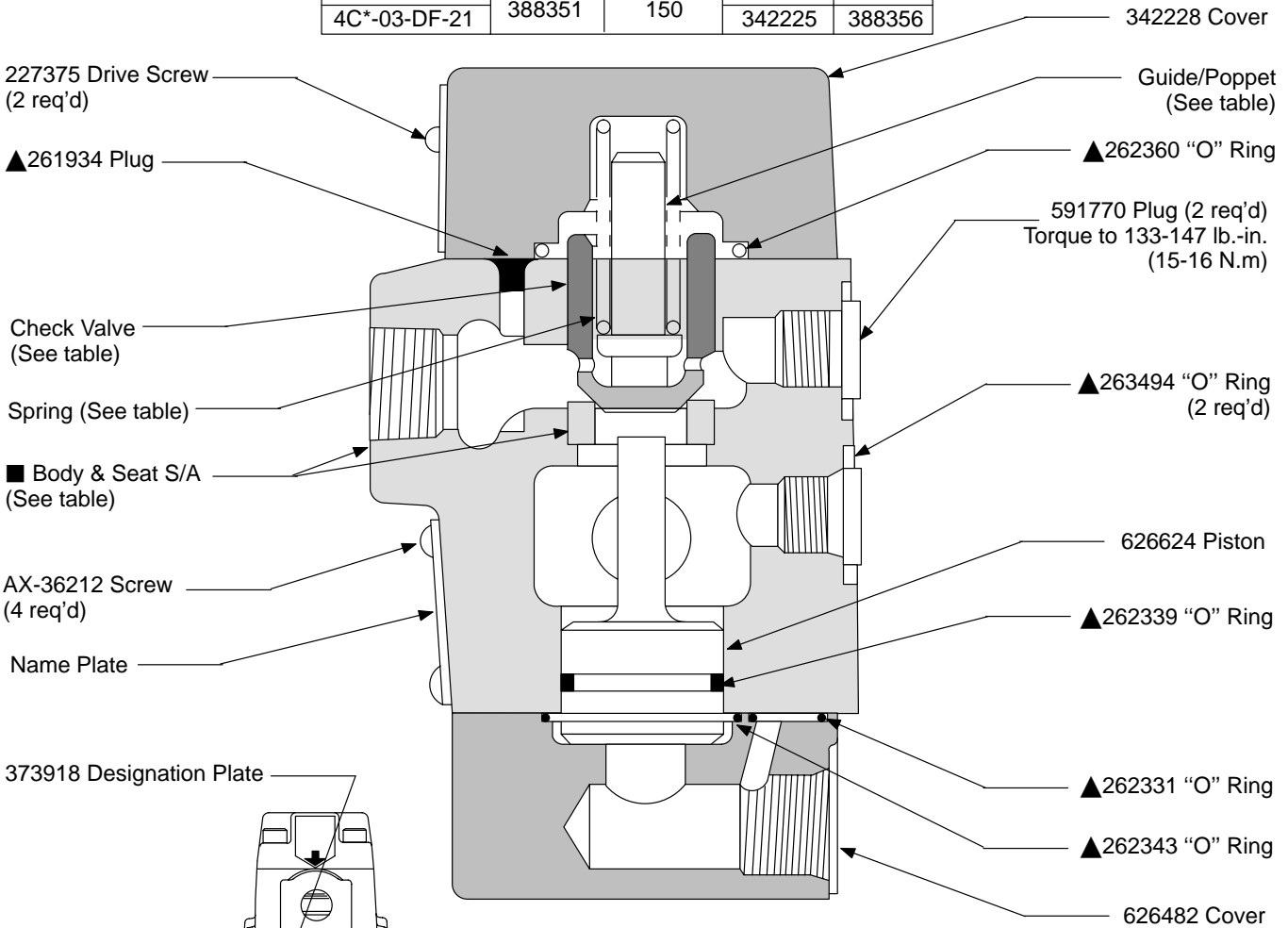
Check Valves



Pilot Operated Check Valve

4CT-03-(D)*-21
 4CS-03-(D)*-21
 4CG-03-(D)*-21

Model	Spring	Pressure PSI	Check- Valve	Guide/ Poppet
4C*-03-A-21	352439	30	359861	359858
4C*-03-DA-21			342225	352440
4C*-03-B-21	389302	50	359861	359858
4C*-03-DB-21			342225	352440
4C*-03-C-21	388350	75	359861	359858
4C*-03-DC-21			342225	352440
4C*-03-F-21	388351	150	359861	388357
4C*-03-DF-21			342225	388356

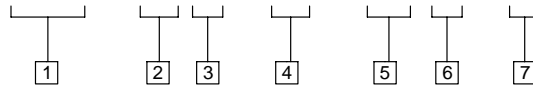


Model	Body S/A	Body	Seat
4CS-03-(D)*-21	626550	626551	342224
4CT-03-(D)*-21	626483	626484	

▲ Service all units with
 F3 Seal Kit 919668

Model Code

(F3) - 4C * - 03 - (D) * - 21



1 Seals

(F3) - Seals for mineral oil and fire resistant fluids

2 Model Series

4C - Pilot operated check valve

3 Connection

G - Subplate mounted
S - SAE straight thread connection
T - NPTF threaded connection

4 Series

03 - 30

5 Features

D - Decompression
(Omit for no decompression)

6 Pressure Range

A - 30 PSI
B - 50 PSI
C - 75 PSI
D - 150 PSI

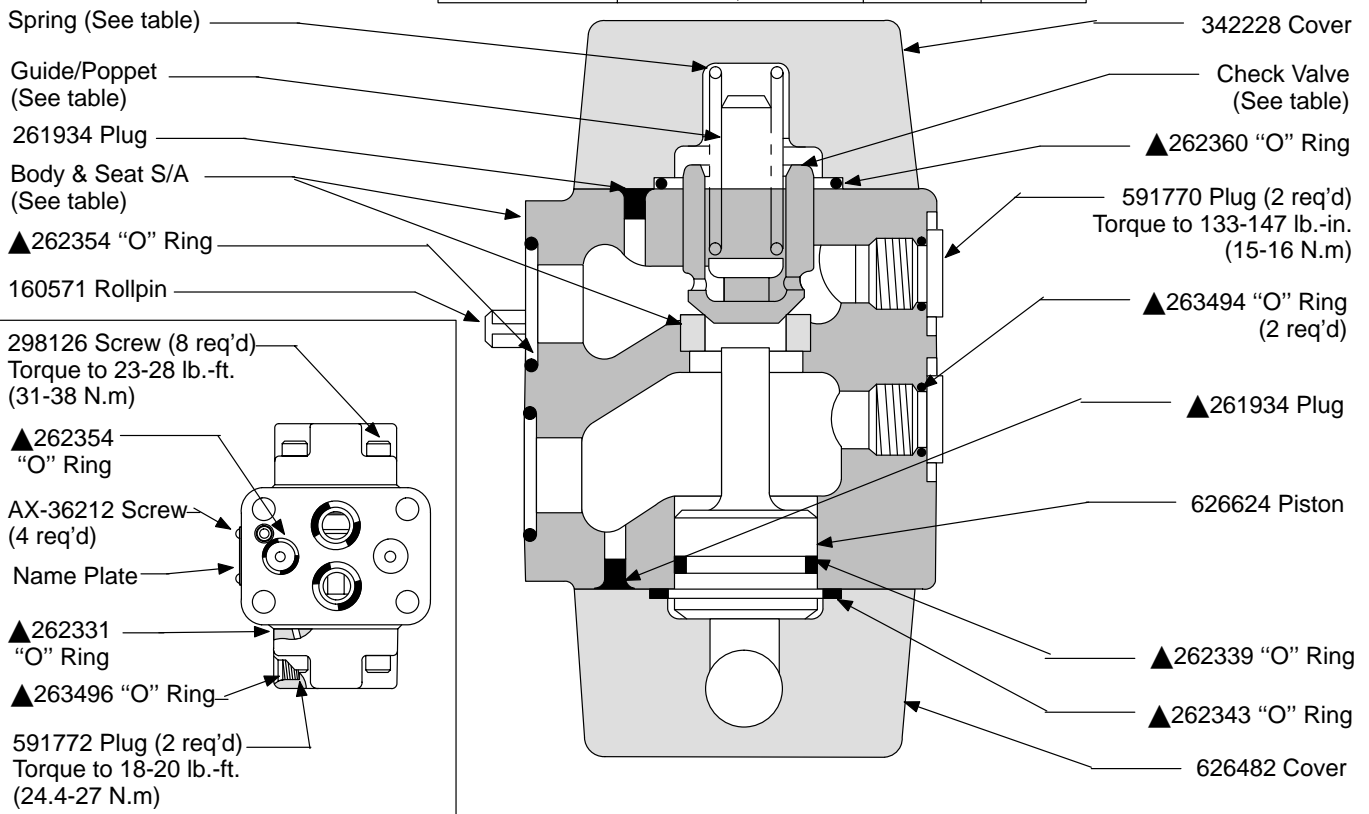
7 Design

4CG-03-(D)*-21

▲ Service all units with
F3 Seal Kit 919671

626485 Body & Seat
S/A Includes:
342224 Seat
626486 Body

Model	Spring	Pressure PSI	Check- Valve	Guide/ Poppet
4CG-03-A-21	352439	30	359861	359858
4CG-03-DA-21			342225	352440
4CG-03-B-21	389302	50	359861	359858
4CG-03-DB-21			342225	352440
4CG-03-C-21	388350	75	359861	359858
4CG-03-DC-21			342225	352440
4CG-03-F-21	388351	150	359861	388357
4CG-03-DF-21			342225	388356



For satisfactory service life of these components, use full flow filtration to provide fluid which meets ISO cleanliness code 18/15 or cleaner. Selections from Eaton OFF, OFR and OFRS filter series are recommended.

Printed in U.S.A.